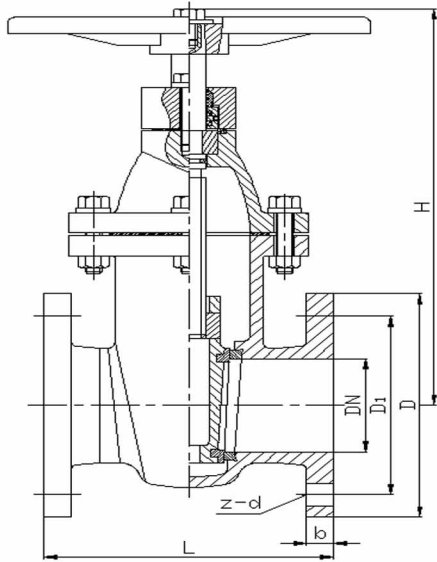


JIS10K METALLIC SEATED WEDGE GATE VALVE NRS



Materials of Parts

Body	Ductile Iron
Bonnet	Ductile Iron
Disc	Ductile Iron
Body seats	Brass
Wedge seats	Brass
Stem	Stainless Steel
Stem nut	Brass
Gasket	NBR
Handwheel	Ductile Iron
Bolts & Nuts	SS304 / Carbon Steel with Zinc

Dimension:

mm

Size	D	D1	H	L	b	z-d	Weight kg
DN40	140	105	256	140	15	4-Ø19	11
DN50	155	120	274	146	16	4-Ø19	14
DN65	175	140	303	159	17.5	4-Ø19	17
DN80	185	150	331	165	19	8-Ø19	22
DN100	210	175	368	172	19	8-Ø19	29
DN125	250	210	416	190	19	8-Ø23	41
DN150	280	240	457	210	19	8-Ø23	50
DN200	330	290	550	241	20	12-Ø23	85
DN250	400	355	632	273	22	12-Ø25	118
DN300	445	400	711	305	24.5	16-Ø25	160
DN350	490	445	805	381	26.5	16-Ø25	225
DN400	560	510	884	406	28	16-Ø27	285

Note: The illustrations in this catalogue are subject to modifications without notice.