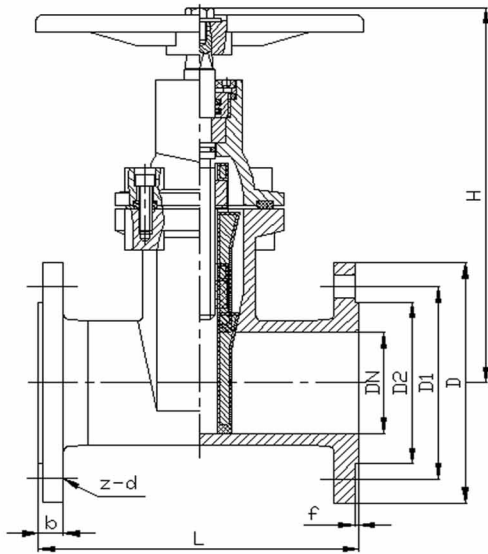


# DIN3352-F5 / EN1171 RESILIENT SEATED WEDGE GATE VALVE NRS



Materials of Parts	
Body	Ductile Iron to GGG50
Bonnet	Ductile Iron to GGG50
Disc	Ductile Iron + EPDM
Stem	Stainless Steel to SS420
Stem nut	Brass
Gasket	EPDM
Handwheel	Ductile Iron to GGG50
Bolts & Nuts	SS304 / Carbon Steel with Zinc

Dimension: PN16									mm
Size	D	D1	D2	H	L	b	f	z-d	Weight kg
DN40	150	110	84	203	240	19	3	4-Ø19	9
DN50	165	125	99	240	250	19	3	4-Ø19	11
DN65	185	145	118	270	270	19	3	4-Ø19	14
DN80	200	160	132	300	280	19	3	8-Ø19	17
DN100	220	180	156	330	300	19	3	8-Ø19	22
DN125	250	210	184	375	325	19	3	8-Ø19	31
DN150	285	240	211	425	350	19	3	8-Ø23	45
DN200	340	295	266	515	400	20	3	12-Ø23	70
DN250	405	355	319	600	450	22	3	12-Ø28	107
DN300	460	410	370	685	500	24.5	4	12-Ø28	138
DN350	520	470	429	755	550	26.5	4	16-Ø28	208
DN400	580	525	480	835	600	28	4	16-Ø31	260
DN450	640	585	548	880	650	30	4	20-Ø31	357
DN500	715	650	609	960	700	31.5	4	20-Ø34	459
DN600	840	770	720	1120	800	36	5	20-Ø37	715
DN700	910	840	794	1235	900	39.5	5	24-Ø37	960
DN800	1025	950	901	1405	1000	43	5	24-Ø41	1320
DN900	1125	1050	1001	1510	1100	46.5	5	28-Ø41	2000

Note: The illustrations in this catalogue are subject to modifications without notice.

**MINGPIN**  **MPM METALS**

No.69 Wangjiang West Road,Hefei,China  
sales@mingpinmetals.com

T: +86-551-64211984 F: +86-551-64211974  
www.mingpinmetals.com