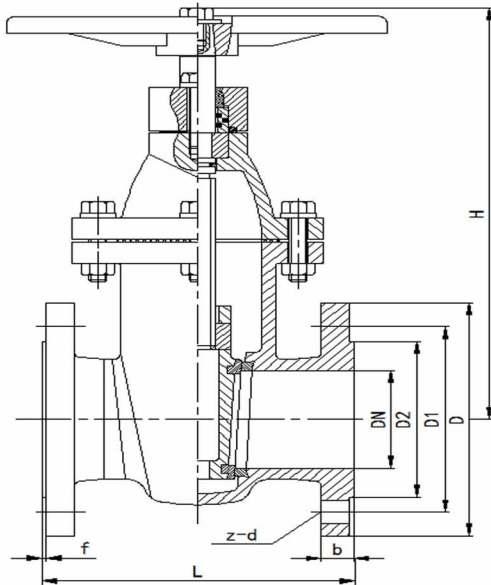


# BS5163 / BS5150 METALLIC SEATED WEDGE GATE VALVE NRS



## Materials of Parts

<b>Body</b>	Ductile Iron to BS2789 Gr. 500/7
<b>Bonnet</b>	Ductile Iron to BS2789 Gr. 500/7
<b>Disc</b>	Ductile Iron to BS2789 Gr. 500/7
<b>Body seats</b>	Brass to BS2874
<b>Wedge seats</b>	Brass to BS2874
<b>Stem</b>	Stainless Steel to BS970 Gr. SS420
<b>Stem nut</b>	Brass to BS2874
<b>Gasket</b>	EPDM to BS2494
<b>Handwheel</b>	Ductile Iron to BS2789 Gr. 500/7
<b>Bolts &amp; Nuts</b>	SS304 / Carbon Steel with Zinc

## Dimension: PN16

Size	D	D1	D2	H	L	b	f	z-d	Weight kg
DN40	150	110	84	272	165	18	3	4-Ø19	12
DN50	165	125	99	319	178	20	3	4-Ø19	15
DN65	185	145	118	343	190	20	3	4-Ø19	18
DN80	200	160	132	371	203	22	3	8-Ø19	23
DN100	220	180	156	406	229	24	3	8-Ø19	30
DN125	250	210	184	451	254	26	3	8-Ø19	42
DN150	285	240	211	496	267	26	3	8-Ø23	52
DN200	340	295	266	575	292	28	3	12-Ø23	88
DN250	405	355	319	654	330	28	3	12-Ø28	125
DN300	460	410	370	734	356	28	4	12-Ø28	167
DN350	520	470	429	827	381	28	4	16-Ø28	250
DN400	580	525	480	880	406	28	4	16-Ø31	316
DN450	640	585	548	976	432	30	4	20-Ø31	400
DN500	715	650	609	1042	457	32	4	20-Ø34	470
DN600	840	770	720	1201	508	36	5	20-Ø37	745

Note: The illustrations in this catalogue are subject to modifications without notice.

**MINGPIN**  **METALS**

No.69 Wangjiang West Road, Hefei, China  
sales@mingpinmetals.com

T: +86-551-64211984 F: +86-551-64211974  
www.mingpinmetals.com