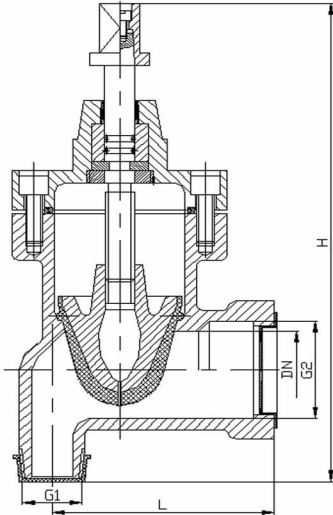


GATE VALVE ANGLE PATTERN



Materials of Parts

Body	Ductile Iron to BS2789 Gr. 500/7
Bonnet	Ductile Iron to BS2789 Gr. 500/7
Disc	Ductile Iron + EPDM
Stem	Stainless Steel to BS970 Gr. SS420
Seal ring	Brass to BS2874
Gasket	EPDM to BS2494
Cap	Ductile Iron to BS2789 Gr. 500/7
Bolts & Nuts	SS304 / Carbon Steel with Zinc

Dimension:

mm

Size	L	H	G1	G2	Weight kg
DN25	83	187	BSP 3/4"	BSP 3/4"	3.2
DN25	83	187	BSP 1"	BSP 3/4"	3.2
DN25	83	187	BSP 1"	BSP 1"	3.2
DN25	83	187	BSP 1-1/4"	BSP 1"	3.2
DN32	96	195	BSP 1-1/4"	BSP 1-1/4"	4
DN32	96	195	BSP 1-1/2"	BSP 1-1/4"	4
DN40	122	205	BSP 1-1/2"	BSP 1-1/2"	4.5
DN40	122	205	BSP 2"	BSP 1-1/2"	4.5
DN50	132	220	BSP 2"	BSP 2"	5

Note: The illustrations in this catalogue are subject to modifications without notice.

MINGPIN  **METALS**

No.69 Wangjiang West Road,Hefei,China
sales@mingpinmetals.com

T: +86-551-64211984 F: +86-551-64211974
www.mingpinmetals.com