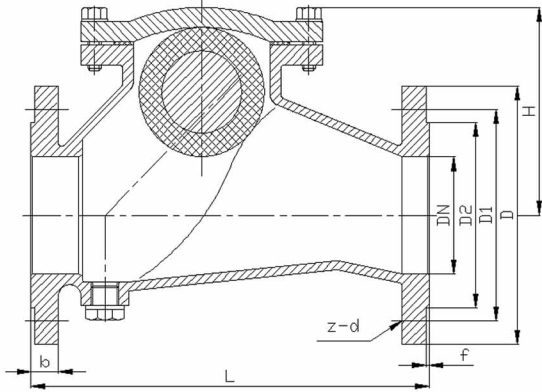
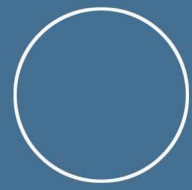


# DIN3202 F6 BALL CHECK VALVE



Materials of Parts	
Body	Ductile Iron to GGG50
Bonnet	Ductile Iron to GGG50
Ball float	EPDM
Plug	SS304 / Carbon Steel
Gasket	EPDM
Bolts & Nuts	SS304 / Carbon Steel with Zinc

Dimension: PN16									mm
Size	D	D1	D2	H	L	b	f	z-d	Weight kg
DN40	150	110	84	106	180	19	3	4-Ø19	8
DN50	165	125	99	115	200	19	3	4-Ø19	9
DN65	185	145	118	124	240	19	3	4-Ø19	12
DN80	200	160	132	138	260	19	3	8-Ø19	15
DN100	220	180	156	162	300	19	3	8-Ø19	20
DN125	250	210	184	202	350	19	3	8-Ø19	31
DN150	285	240	211	228	400	19	3	8-Ø23	40
DN200	340	295	266	298	500	20	3	12-Ø23	75
DN250	405	355	319	368	600	22	3	12-Ø28	115
DN300	460	410	370	438	700	24.5	4	12-Ø28	160
DN400	580	525	480	584	900	28	4	16-Ø31	305
DN500	715	650	609	740	1100	31.5	4	20-Ø34	570

Note: The illustrations in this catalogue are subject to modifications without notice.