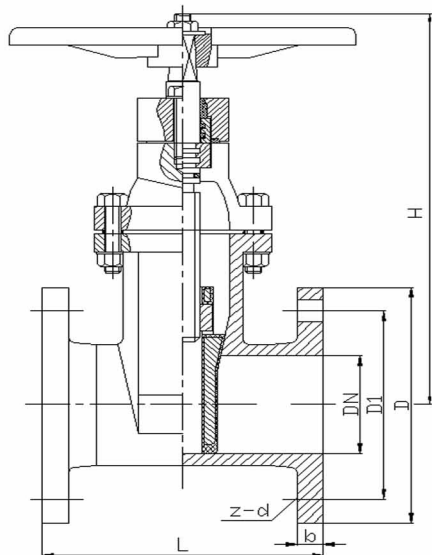


AWWA C509 / C515 RESILIENT SEATED WEDGE GATE VALVE NRS



Materials of Parts

Body	Ductile Iron to ASTM A536
Bonnet	Ductile Iron to ASTM A536
Disc	Ductile Iron + EPDM
Stem	Stainless Steel to ASTM A276
Stem nut	Brass to ASTM B16
Gasket	EPDM to ASTM D2000
Handwheel	Ductile Iron to ASTM A536
Bolts & Nuts	SS304

Dimension:

mm

Size	D	D1	H	L	b	z-d	Weight(kg)	
							C509	C515
DN50	152	120.5	255	178	16	4-Ø19	14	11
DN65	178	139.5	280	190	17.5	4-Ø19	17	15
DN80	191	152.5	310	203	19	4-Ø19	20	17
DN100	229	190.5	340	229	24	8-Ø19	31	24.5
DN125	254	216	400	254	24	8-Ø22	42	34
DN150	279	241.5	435	267	25.5	8-Ø22	50	40
DN200	343	298.5	525	292	29	8-Ø22	88	67
DN250	406	362	605	330	30.5	12-Ø25	135	104
DN300	483	432	685	356	32	12-Ø25	190	138
DN350	533	476	770	381	35	12-Ø29	245	205
DN400	597	539.5	845	406	37	16-Ø29	320	262
DN450	635	577.9	925	432	39.7	16-Ø32	390	315
DN500	699	635	1000	457	43	20-Ø32	550	417
DN600	813	749.5	1155	508	48	20-Ø35	800	600
DN750	984	914.5	1515	610	54	28-Ø35	1390	1280
DN900	1168	1086	1795	711	60.4	32-Ø41	2200	1950

Note: The illustrations in this catalogue are subject to modifications without notice.

MINGPIN  **METALS**

No.69 Wangjiang West Road,Hefei,China
sales@mingpinmetals.com

T: +86-551-64211984 F: +86-551-64211974
www.mingpinmetals.com