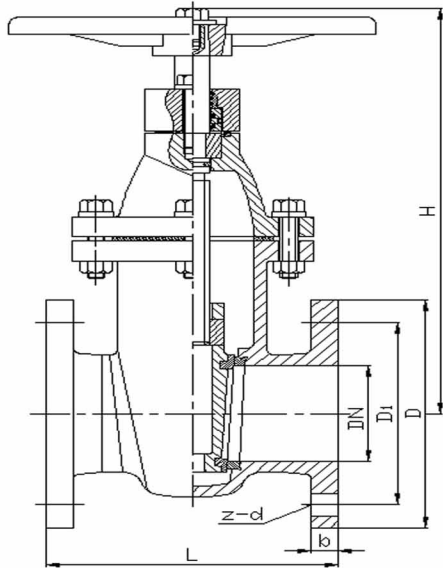


BS3464 METALLIC SEATED WEDGE GATE VALVE NRS



Materials of Parts

Body	Ductile Iron to BS2789 Gr. 500/7
Bonnet	Ductile Iron to BS2789 Gr. 500/7
Disc	Ductile Iron to BS2789 Gr. 500/7
Body seats	Brass to BS2874
Wedge seats	Brass to BS2874
Stem	Stainless Steel to BS970 Gr. SS420
Stem nut	Brass to BS2874
Gasket	EPDM to BS2494
Handwheel	Ductile Iron to BS2789 Gr. 500/7
Bolts & Nuts	SS304 / Carbon Steel with Zinc

Dimension: BS10 Table E

Size	D	D1	H	L	b	z-d	Weight kg
DN40	133	98.4	283	140	16	4-Ø16	11
DN50	152	114.3	301	146	19	4-Ø19	14
DN65	165	127	333	159	19	4-Ø19	17
DN80	184	146	371	165	19	4-Ø19	22
DN100	216	177.8	405	172	23	8-Ø19	29
DN125	254	209.6	463	190	23	8-Ø19	41
DN150	279	235	504	210	23	8-Ø23	50
DN200	337	292.1	602	241	26	8-Ø23	85
DN250	406	355.6	689	273	26	12-Ø23	118
DN300	457	406.4	773	305	29	12-Ø26	160
DN350	527	469.9	885	381	32	12-Ø26	225
DN400	578	520.7	964	406	32	12-Ø26	285

Note: The illustrations in this catalogue are subject to modifications without notice.

MINGPIN  **METALS**

No.69 Wangjiang West Road,Hefei,China
sales@mingpinmetals.com

T: +86-551-64211984 F: +86-551-64211974
www.mingpinmetals.com